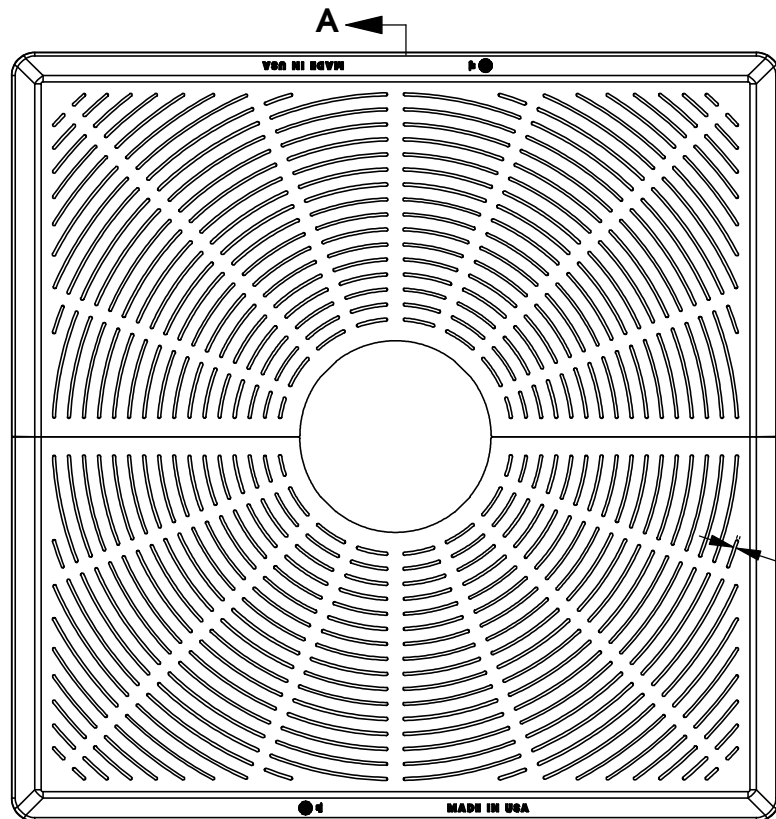
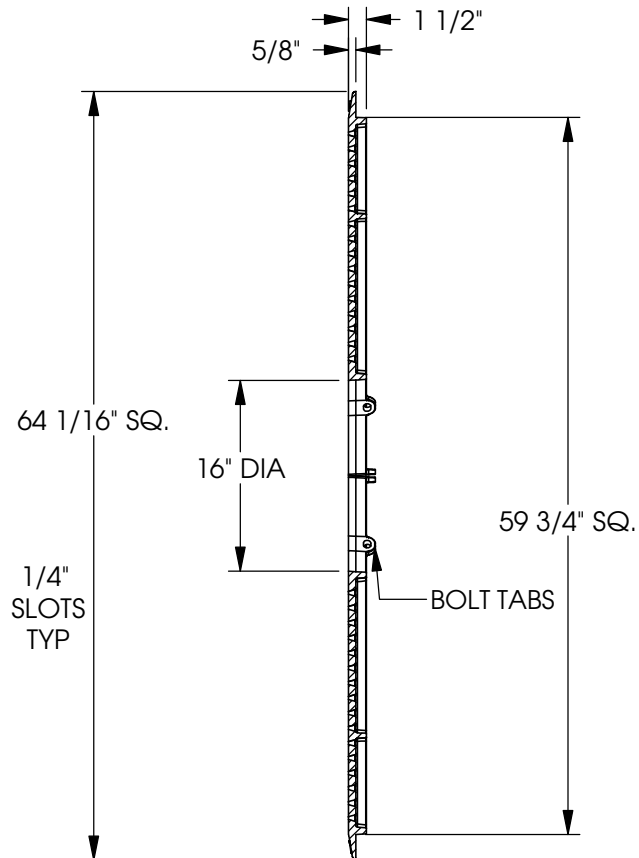


# 8955 Retrofit Plaza Tree Grate Set

Supplied By:  
**TRENCH DRAIN SUPPLY**  
 877-903-7246  
 www.trenchdrainsupply.com



**PLAN VIEW**



**SECTION A-A**

**Product Number**

00895521C01

**Design Features**

-Materials  
 Tree Grate  
 Gray Iron (CL35B)

-Design Load  
 Non-Traffic  
 -Open Area  
 n/a  
 -Coating  
 Undipped  
 -√ Designates Machined Surface

**Certification**

-ASTM A48  
 -  
 -Country of Origin: USA

**Major Components**

00895521

**Drawing Revision**

9/23/2009 Designer: DEW  
 10/29/2013 Revised By: MAH

**Disclaimer**

Weights (lbs/kg), dimensions (inches/mm) and drawings provided for your guidance. We reserve the right to modify specifications without prior notice.

CONFIDENTIAL: This drawing is the property of EJ Group, Inc. and embodies confidential information, registered marks, patents, trade secret information, and/or know-how that is the property of EJ Group, Inc. Copyright © 2012 EJ Group, Inc. All rights reserved.

**Contact**

800 626 4653  
 ejco.com